

COVER:

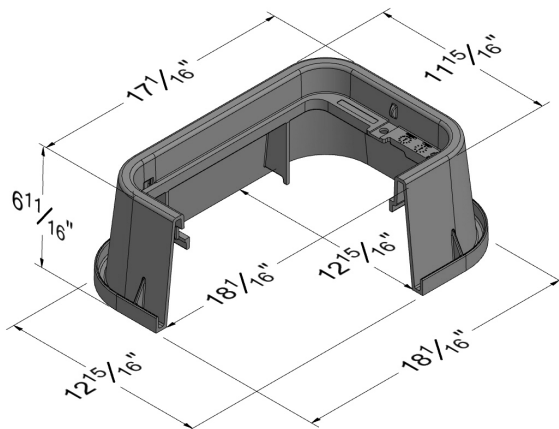
Style: Flush
 Material: HDPE
 Model: 15" x 20"
 Weight: 3 lbs
 Std. Fasteners: 3/8" Hex Bolt
 Options: Logos and Special Markings
 Surface: Skid Resistant & Marked*
 Performance: Pedestrian, ASTM C857, WUC 3.6,

BODY:

Material: HDPE
 Model: 15" x 20"
 Weight: 18" Depth: 12 lbs
 Wall Type: Flared
 Mouseholes: 2
 Performance: Pedestrian, ASTM C857, WUC 3.6,

EXTENSION:

Material: HDPE
 Weight: 4 lbs



**Light Duty:
Pedestrian Only**

For use in non-vehicular traffic situations only.

We do not recommend installation in concrete or asphalt.
 Coefficient of Friction <0.5

Actual load rating is determined by the box and cover combination.
 Weights and dimensions may vary slightly

Rev 10/2016 ©2016 Oldcastle, Inc.

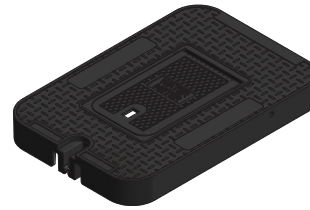
*Cover comes standard with permanent markings for manufacturer, load rating, model size and manufacturing location.

Contact your Oldcastle Enclosure Solutions Distribution Center for specific information and additional options.

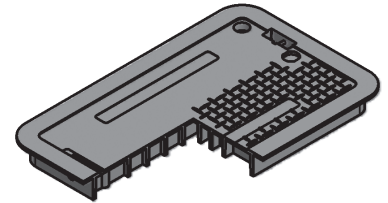
Options:

Available Plastic Covers:

- Flush Solid (Standard)
- Flush with Plastic Reader Door
- Flush with Cast Iron Reader Door
- T Cover Solid
- T Cover with Plastic Reader Door
- T Cover with Cast Iron Reader Door
- Hinged Cover



Reader Door Detail



T Solid Cover

Available Plastic Cover Colors:

Black (Standard), Green, Grey, Tan, Purple

Add On Options for Plastic Covers:

- AMR Friendly Solutions
- Touch Read Hole

Locking Options for Plastic Covers:

- Bolt Down Feature
- Drop-N-Lock™

Available Body Colors:

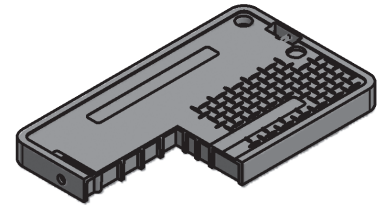
Black (Standard), Green, Grey, Tan, Purple

Available Extension Colors:

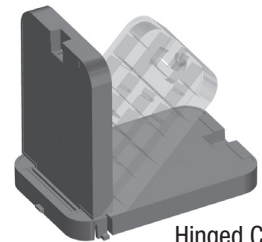
Black



Bolt Down Detail



Flush Solid Cover



Hinged Cover

Raw Material Specifications:

Material Property	ASTM Test Method	Typical Value ¹
Type, Class, Category	D 1248	III, A, 3
Density, g/cm ³	D 1505	0.950 min., not to exceed 0.965
Tensile Strength, at break, psi	D 638	3,000 to 4,400
Elongation, at break, %	D 638	400
Tensile Impact, ft-lb/in ²	D 1822	27
Flexural Modulus, psi	D 790	120,000 min., not to exceed 240,000
Low Temperature Brittleness, F50, at °C	D 746	<-76
Hardness, Shore D	D 2240	66
Deflection Temperature, at 66 psi, °F	D 648	150° min., not to exceed 200°
Electrical Dielectric Strength, V/mil	D 149	400 min., not to exceed 600
Molded Product		
Chemical Resistance	D 543	Very Resistant
Water Absorption	D 570	Less than 1% weight change

¹The values listed for physical property measurements are nominal values only. Certain physical property measurements are subject to variations consistent with the test methods and are within a generally accepted range for such values.

Product Load Rating:



Light Duty : Pedestrian Only

Note:

Actual load rating is determined by the box and cover combination. Weights and dimensions may vary slightly. All information contained on this sheet is current at the time of printing. Oldcastle Precast, Inc. reserves the right to discontinue or update product information without notice.

